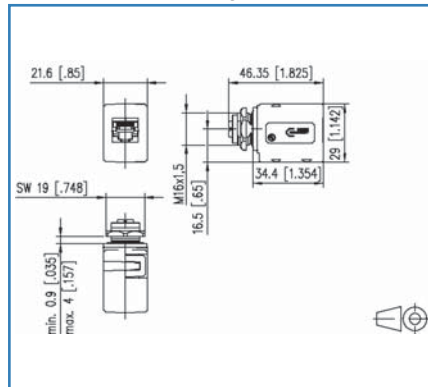


# Data sheet

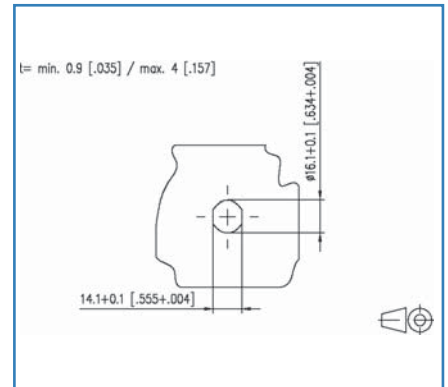
## Panel feed through adapters M12 X-coded to RJ45 for electrical cabinets - straight



Dimensional drawing



Cut-out



See enlarged drawings at the end of document

### Product specification

- panel feed-through adapter M12 to RJ45 for control cabinets
- M12 jack x-coded, IP67, per IEC/PS 61076-2-109
- RJ45 jack, IP20, per IEC 60603-7-51
- suitable for 10 GBit per IEEE802.3an
- Cat.6A
- plug-in direction: straight
- solid refined zinc die-cast housing

# Data sheet

## Panel feed through adapters M12 X-coded to RJ45 for electrical cabinets - straight

### Technical Data

#### General Data

Design	Jack
Mounting style	back side
Shielding	shielded
Transmission technology	Copper
Color	metallike
Dimensions	
Dimension (L x W x H)	46.35 x 21.60 x 29.00 mm
Dimension (L x W x H)	1.82 x 0.85 x 1.14 in.
Labeling option	on housing

#### Transmission characteristics

Category (ISO)	6 <sub>A</sub>
Category (TIA)	6A
Transmission rate up to 10 GBit	IEEE 802.3an

#### Connections/interfaces

Connector technology interface 1	RJ45-jack
Connector technology interface 2	M12-jack
Number of ports interface 1	1
Number of ports interface 2	1
Number of equipped ports interface 1	1
Number of ports interface 2 equipped	1
Number of positions/contacts interface 1	8P/8C
Number of positions/contacts interface 2	8
Cable access/outlet	straight M12

#### Electrical characteristics

Current carrying capacity	0.5 A
Rated voltage	60 V
Insulation resistance	min. 100 MOhm

# Data sheet

## Panel feed through adapters M12 X-coded to RJ45 for electrical cabinets - straight

### Technical Data

#### Materials and material properties

Material - Housing	GD-Zn (zinc die-cast)
Material - Contact	CuZn (brass)
Material - Contact finish	Ni + Au (nickel-gold)
Material - Shield	CuSn (tin bronze)

#### Environmental conditions

Temperature (min. - max.)	
Temperature - Storage °C	-25 - 85 °C
Temperature - Storage °F	-13 - 185 °F
Temperature - Operating °C	-25 - 85 °C
Temperature - Operating °F	-13 - 185 °F
Overvoltage category	II
Pollution degree	2
Electromagnetic measurement	E <sub>2</sub>

#### Certifications

Gost Certification	yes
--------------------	-----

#### Approvals

RoHS	compliant
UL listed (file no.)	DUXR.E178484

#### The product meets the following standards

Connectors for electronic equipment	
Round plug connectors	DIN EN 61076-2-109:2010-08

#### Classifications

ETIM 5.0	EC001134
----------	----------

#### Packing details

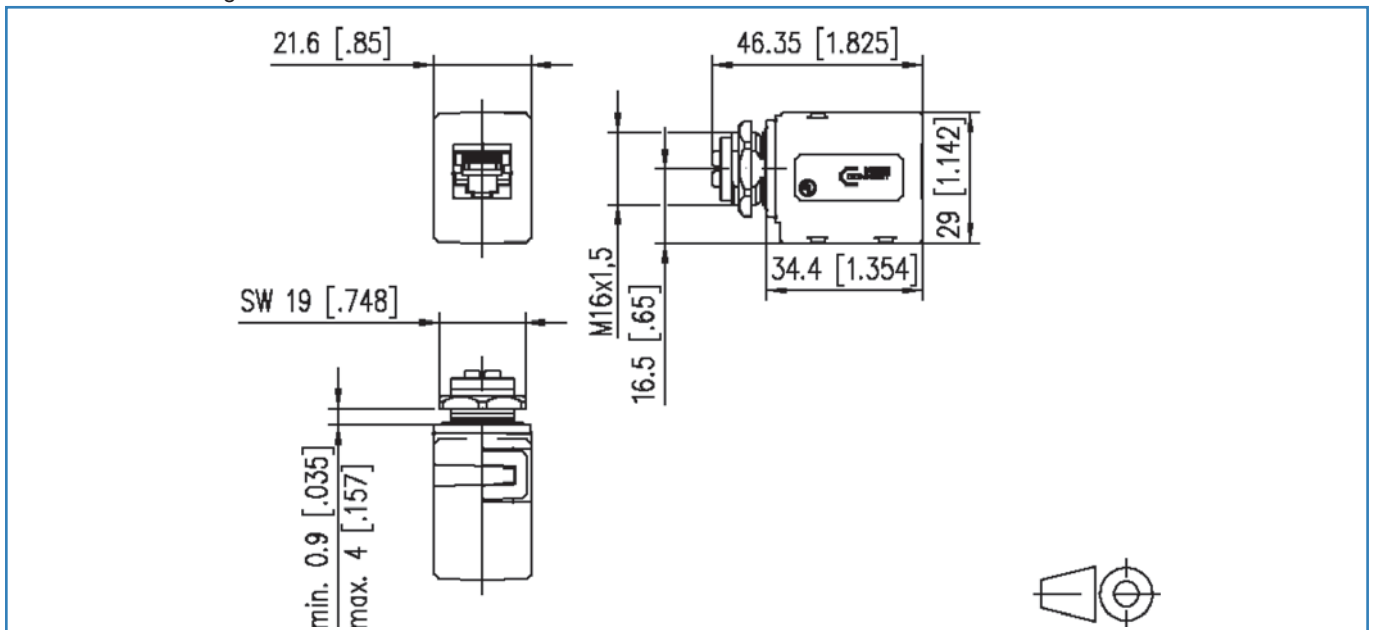
Type of packaging	1 pc(s) / plastic bag
Packaging unit - Weight (gram)	60.00 g
Packaging unit - Weight (pound)	0.13 lb

# Data sheet

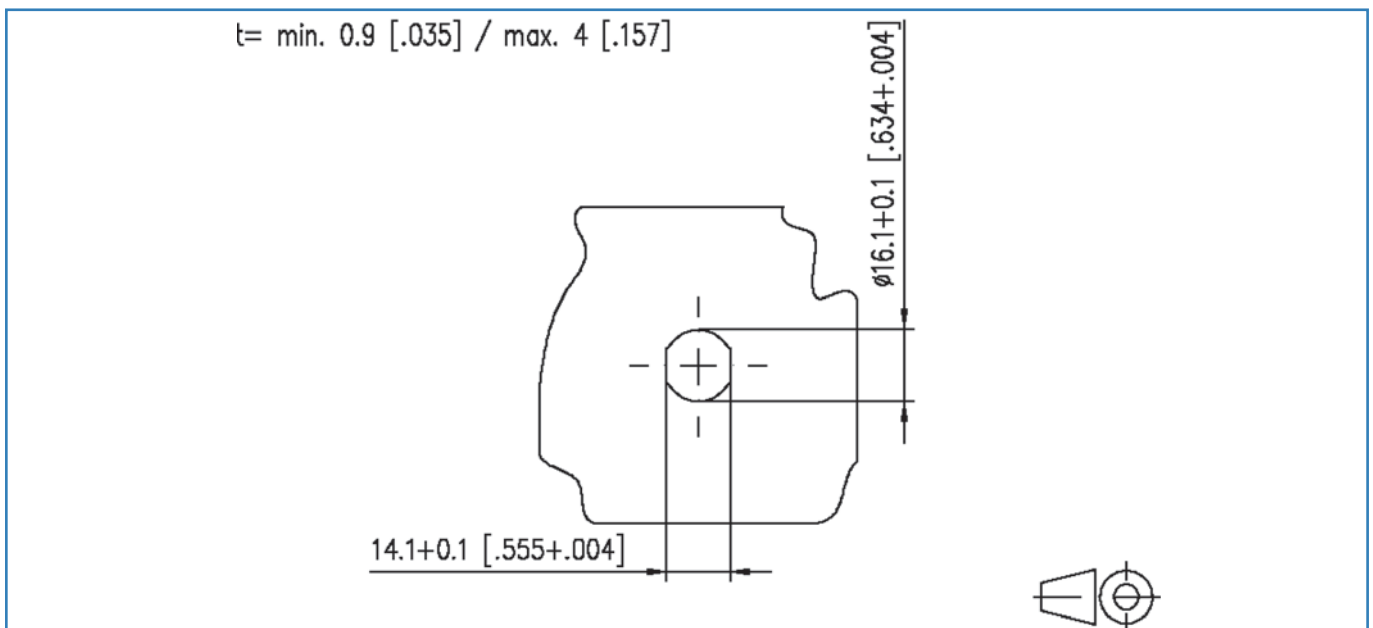
## Panel feed through adapters M12 X-coded to RJ45 for electrical cabinets - straight

### Illustrations

Dimensional drawing



Cut-out

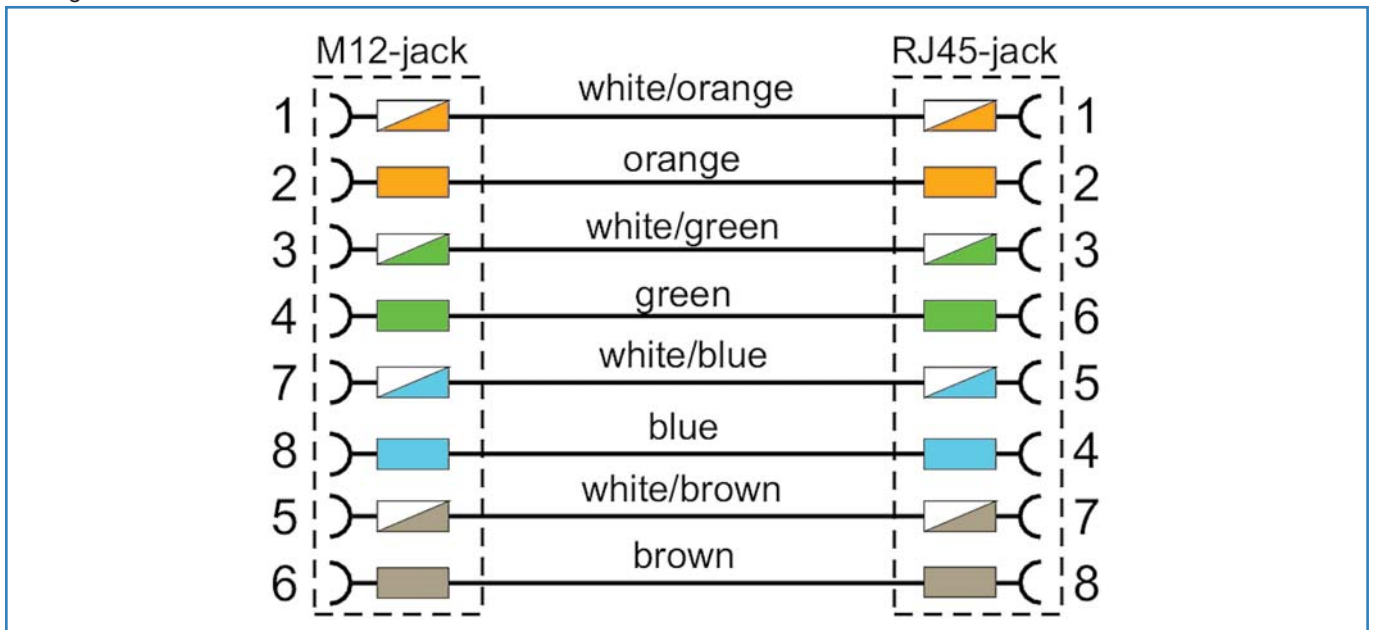


# Data sheet

## Panel feed through adapters M12 X-coded to RJ45 for electrical cabinets - straight

### Illustrations

Wiring



Circuit diagram

