

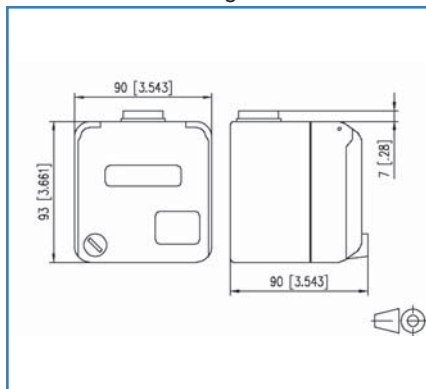
Data sheet

Modul IP44SG surface mounting housing unequipped

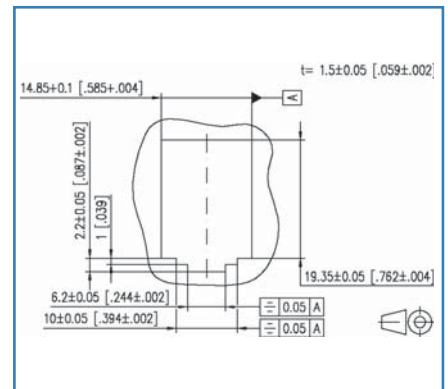
Illustrations



Dimensional drawing



Cut-out



See enlarged drawings at the end of document

Product specification

- lockable flush-mounted IP44 outlet, keyed alike with two keys (identical locks and keys)
- cover closes completely, even when patch cables are plugged in
- for two individual modules in Modul design (not suitable for OpDAT modules)
- ball-impact resistant according to DIN 18032
- can be operated with standard patch cables
- clearly visible label window
- bottom section of housing can be turned 180°, with cable feed possible from top and bottom
- with space to install the required spare cable lengths
- gray

Data sheet

Modul IP44SG surface mounting housing unequipped

Technical Data

General Data

Fields of application	Office
Design	Wall outlet
Mounting style	surface mount
Color	gray
Dimensions	
Dimension (L x W x H)	90.00 x 90.00 x 93.00 mm
Dimension (L x W x H)	3.54 x 3.54 x 3.54 in.
Modularity	yes
Labeling option	label window with identification label

Connections/interfaces

Number of ports interface 2	2
Number of ports interface 2 equipped	0
Cable access/outlet	90° from the top or bottom

Mechanical characteristics

Cut-out	Modul
---------	-------

Environmental conditions

Particulate ingress	IP4X when closed
Liquid ingress/immersion	IPX4 when closed

Certifications

Gost Certification	yes
--------------------	-----

Approvals

RoHS	compliant
------	-----------

Classifications

ETIM 5.0	EC001264
----------	----------

Data sheet

Modul IP44SG surface mounting housing unequipped

Technical Data

Packing details

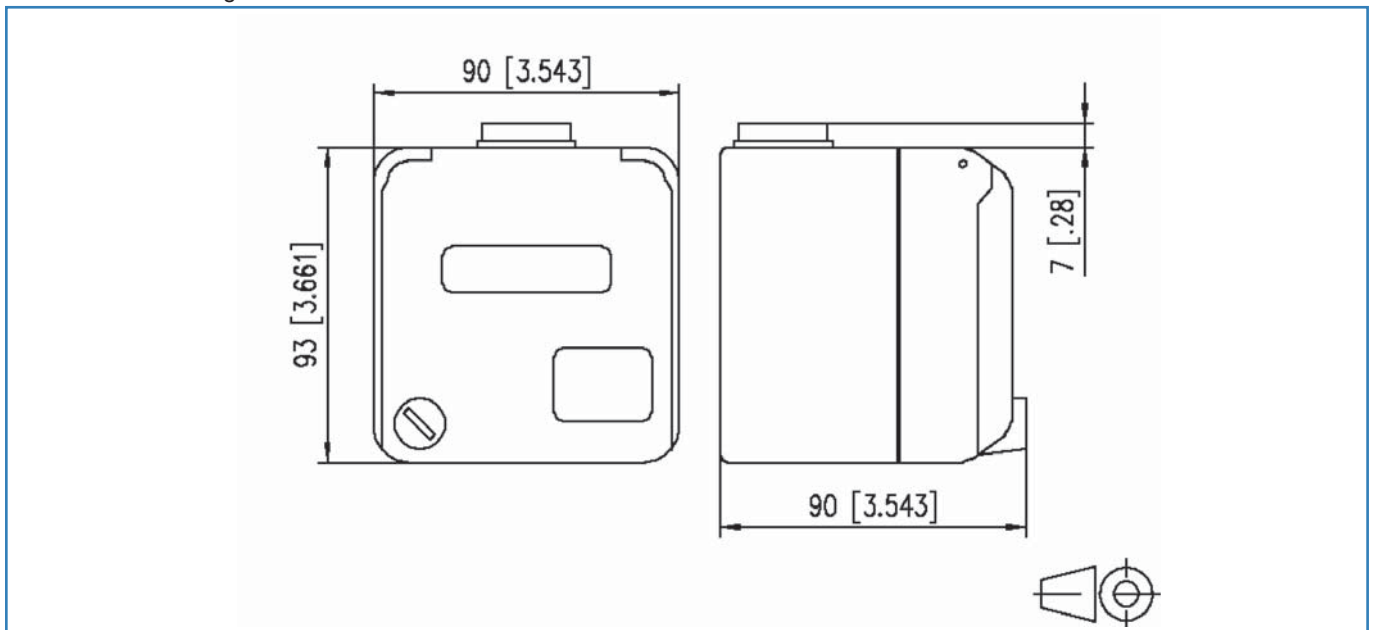
Type of packaging	5 pc(s) / box
Packaging unit - Weight (gram)	1326.00 g
Packaging unit - Weight (pound)	2.92 lb
Packaging dimension (W x H x D)	310.00 x 262.00 x 122.00 mm
Packaging dimension (W x H x D)	12.20 x 10.31 x 4.80 in.

Data sheet

Modul IP44SG surface mounting housing unequipped

Illustrations

Dimensional drawing



Cut-out

