

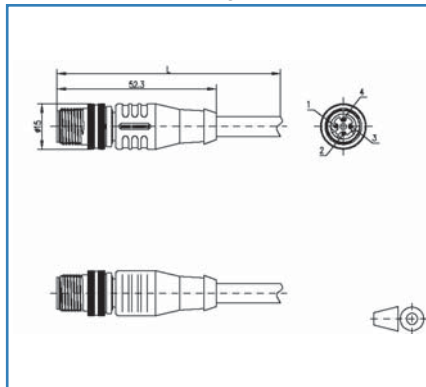
P/N 21501 | 21502 | 21503 | 21504

Connection cable M12 4-pole D-coded

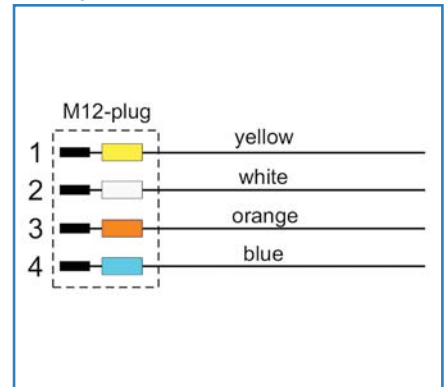
Illustrations



Dimensional drawing



Wiring



See enlarged drawings at the end of document

Product specification

- shielded M12 Ethernet connection cable
- Cat.5e, 4-pole, D-coded (IEC 61076-2-101)
- M12 connector, straight on free line end
- extrusion-coated cable on M12 connector
- 4x1xAWG22/7, tinned with plastic foil
- inner sheath FRNC, aluminum-coated plastic foil
- overall shield: tinned copper braid, approx. 85% covered
- Profinet (WS-GE-BL-OR) wiring
- green cable, PUR

- variants: 1.0 m, 2.0 m, 5.0 m, 10.0 m
- other cable lengths on request

P/N 21501 | 21502 | 21503 | 21504

Connection cable M12 4-pole D-coded

Technical Data

General Data

Fields of application	Industrial Ethernet
Design	Ethernet-Connection cable
Shielding	shielded
Transmission technology	Copper
Number of twisting elements	2
Twisting element	Pair
Wiring	Profinet
Color coding fiber/ wire(s)	yellow, white, orange, blue
Color	green
Dimensions	
Dimension - Interface 2 (L x W x H)	52.30 x 15.00 x 15.00 mm
Dimension - Interface 2 (L x W x H)	2.06 x 0.59 x 0.59 in.
Cable length (m)	10.00 m
Cable length (ft)	32.81 ft

Transmission characteristics

Category (ISO)	5e
----------------	----

Connections/interfaces

Connector technology interface 1	Free line end
Connector technology interface 2	M12-plug
Coding interface 2	D-coded
Number of ports interface 2	1
Number of ports interface 2 equipped	1
Number of positions/contacts interface 2	4
Termination data, stranded wire (min. - max.)	
Conductor cross section, stranded wire	AWG 22
Conductor cross section, stranded wire	0.355 mm ²
Conductor diameter, stranded wire (bare copper)	0.762 mm
Conductor diameter, stranded wire (bare copper)	0.03 in.

P/N 21501 | 21502 | 21503 | 21504

Connection cable M12 4-pole D-coded

Technical Data

Electrical characteristics

Current carrying capacity	max. 4 A
Through resistance	max. 5 mOhm
Insulation resistance	min. 10 ⁸ MOhm

Mechanical characteristics

Shielding braid coverage	85 %
--------------------------	------

Materials and material properties

Material - Cable jacket	PUR
Material - Inner cable jacket	FRNC, with an aluminized film
Material - Body interface 2	Plastics
Material - Contact interface 2	CuZn (brass)
Material - Contact finish interface 2	Au (gold)
Material - Union nut interface 2	CuZn (brass)
Material - Union nut finish interface 2	Ni (nickel)
Material - Main shield	Cu (copper) braid
Material - Main shield finish	Sn (tin)
Flame retardancy	yes

Environmental conditions

Temperature (min. - max.)	
Temperature - Storage °C	-30 - 90 °C
Temperature - Storage °F	-22 - 194 °F
Particulate ingress interface 2	IP6X when plugged in
Liquid ingress/immersion interface 2	IPX7 when plugged in
Pollution degree interface 2	3/2

Approvals

RoHS	compliant
------	-----------

P/N 21501 | 21502 | 21503 | 21504

Connection cable M12 4-pole D-coded

Technical Data

The product meets the following standards

Generic cabling systems	
General requirements	ISO/IEC 11801-1 DIN EN 50173-1
Multi-element metallic cables used in analogue and digital communication and control	DIN EN 50288-4-1
Test for vertical flame propagation for a single insulated wire or cable	DIN EN 60332-1-2
Measurement of smoke density of cables burning	DIN EN 61034

Classifications

ETIM 5.0	EC002599
----------	----------

Packing details

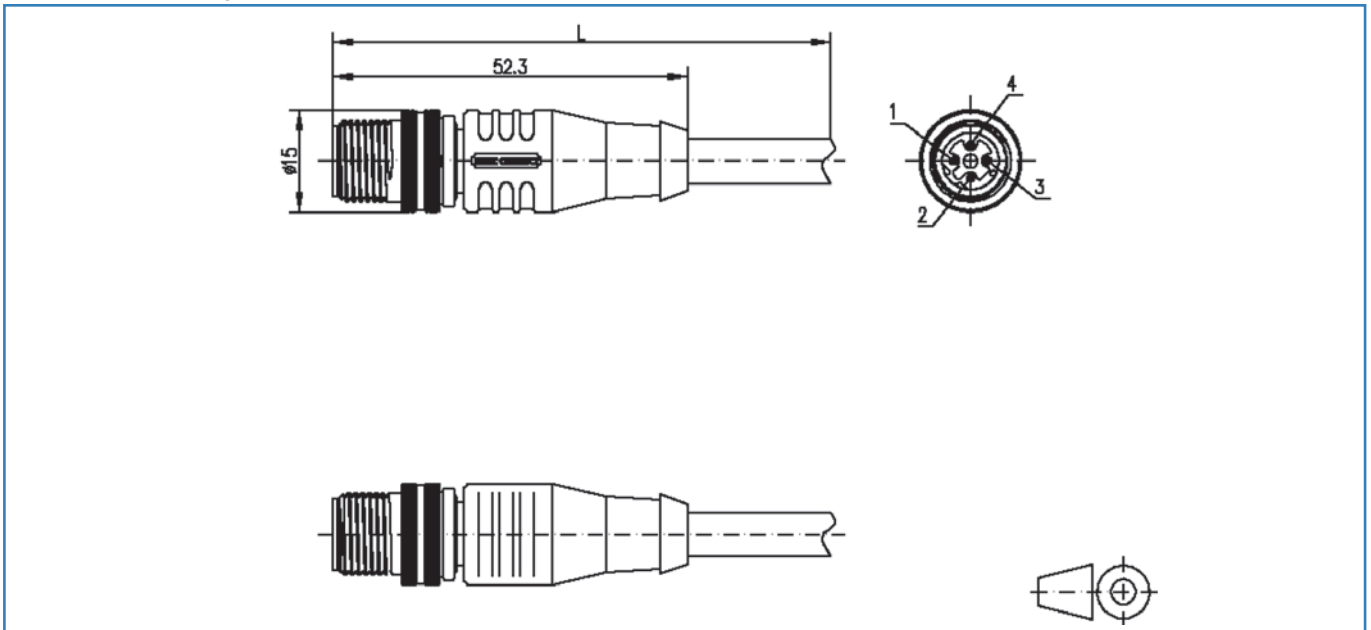
Type of packaging	1 pc(s) / plastic bag
Packaging unit - Weight (gram)	659.00 g
Packaging unit - Weight (pound)	1.45 lb

P/N 21501 | 21502 | 21503 | 21504

Connection cable M12 4-pole D-coded

Illustrations

Dimensional drawing



Wiring

