

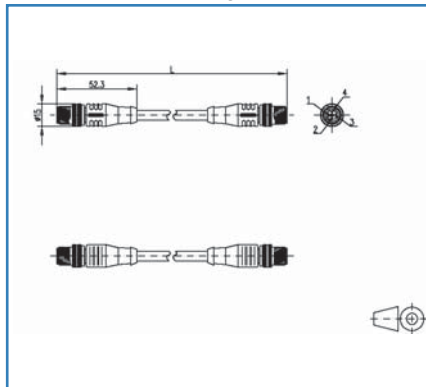
## P/N 21511 | 21512 | 21513 | 21514

### Connection line M12 4-pole D-coded

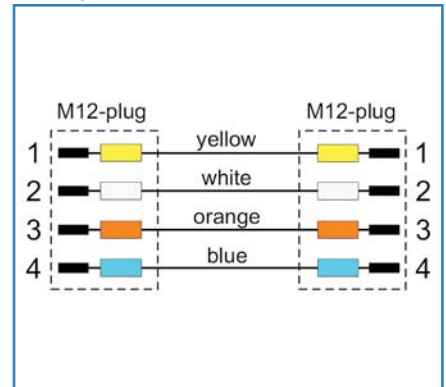
#### Illustrations



Dimensional drawing



Wiring



See enlarged drawings at the end of document

#### Product specification

- shielded M12 Ethernet connection line
  - Cat.5e, 4-pole, D-coded to IEC 61076-2-101
  - straight on M12 connector
  - extrusion-coated cable on M12 connectors
  - 2x2xAWG22/7, tinned with plastic foil
  - inner sheath FRNC, aluminum-coated plastic foil
  - overall shield: tinned copper braid, approx. 85% covered
  - Profinet (WS-GE-BL-OR) wiring
  - green cable, PUR
- 
- standard variants: 1.0 m, 2.0 m, 5.0 m, 10.0 m
  - other cable lengths on request

## P/N 21511 | 21512 | 21513 | 21514

### Connection line M12 4-pole D-coded

#### Technical Data

##### General Data

Fields of application	Industrial Ethernet
Design	Ethernet-Connection line
Shielding	shielded
Transmission technology	Copper
Number of twisting elements	2
Twisting element	Pair
Wiring	Profinet
Color coding fiber/ wire(s)	yellow, white, orange, blue
Color	green
Dimensions	
Dimension - Interface 1 (L x W x H)	52.30 x 15.00 x 15.00 mm
Dimension - Interface 1 (L x W x H)	2.06 x 0.59 x 0.59 in.
Dimension - Interface 2 (L x W x H)	52.30 x 15.00 x 15.00 mm
Dimension - Interface 2 (L x W x H)	2.06 x 0.59 x 0.59 in.
Cable length (m)	10.00 m
Cable length (ft)	32.81 ft
Labeling option	identification label carrier

##### Transmission characteristics

Category (ISO)	5e
----------------	----

##### Connections/interfaces

Connector technology interface 1	M12 Buchse
Connector technology interface 2	M12-plug
Coding interface 1	D-coded
Coding interface 2	D-coded
Number of ports interface 1	1
Number of ports interface 2	1
Number of equipped ports interface 1	1
Number of ports interface 2 equipped	1
Number of positions/contacts interface 1	4
Number of positions/contacts interface 2	4

## P/N 21511 | 21512 | 21513 | 21514

### Connection line M12 4-pole D-coded

#### Technical Data

##### Electrical characteristics

Current carrying capacity	max. 4 A
Through resistance	max. 5 mOhm
Insulation resistance	min. 10 <sup>8</sup> MOhm

##### Mechanical characteristics

Shielding braid coverage	85 %
--------------------------	------

##### Materials and material properties

Material - Conductor	Cu (copper)
Material - Cable jacket	PUR
Material - Inner cable jacket	FRNC, with an aluminized film
Material - Body interface 1	Plastics
Material - Body interface 2	Plastics
Material - Contact interface 1	CuZn (brass)
Material - Contact interface 2	CuZn (brass)
Material - Contact finish interface 1	Au (gold)
Material - Contact finish interface 2	Au (gold)
Material - Contact carriers interface 1	Plastics
Material - Contact carriers interface 2	Plastics
Material - Union nut interface 1	CuZn (brass)
Material - Union nut interface 2	CuZn (brass)
Material - Union nut finish interface 1	Ni (nickel)
Material - Union nut finish interface 2	Ni (nickel)
Material - Main shield	Cu (copper) braid
Material - Main shield finish	Sn (tin)
Flame retardancy	yes

##### Environmental conditions

Temperature (min. - max.)	
Temperature - Storage °C	-30 - 90 °C
Temperature - Storage °F	-22 - 194 °F
Particulate ingress interface 1	IP6X when plugged in
Liquid ingress/immersion interface 1	IPX7 when plugged in
Particulate ingress interface 2	IP6X when plugged in
Liquid ingress/immersion interface 2	IPX7 when plugged in

## P/N 21511 | 21512 | 21513 | 21514

### Connection line M12 4-pole D-coded

#### Technical Data

##### Environmental conditions

Pollution degree interface 1	3/2
Pollution degree interface 2	3/2

##### Approvals

RoHS	compliant
------	-----------

##### The product meets the following standards

Generic cabling systems	
General requirements	ISO/IEC 11801-1   DIN EN 50173-1
Connectors for electronic equipment	
Round plug connectors	DIN EN 61076-2-101
Multi-element metallic cables used in analogue and digital communication and control	DIN EN 50288-4-1
Test for vertical flame propagation for a single insulated wire or cable	DIN EN 60332-1-2
Measurement of smoke density of cables burning	DIN EN 61034

##### Classifications

ETIM 5.0	EC002599
----------	----------

##### Packing details

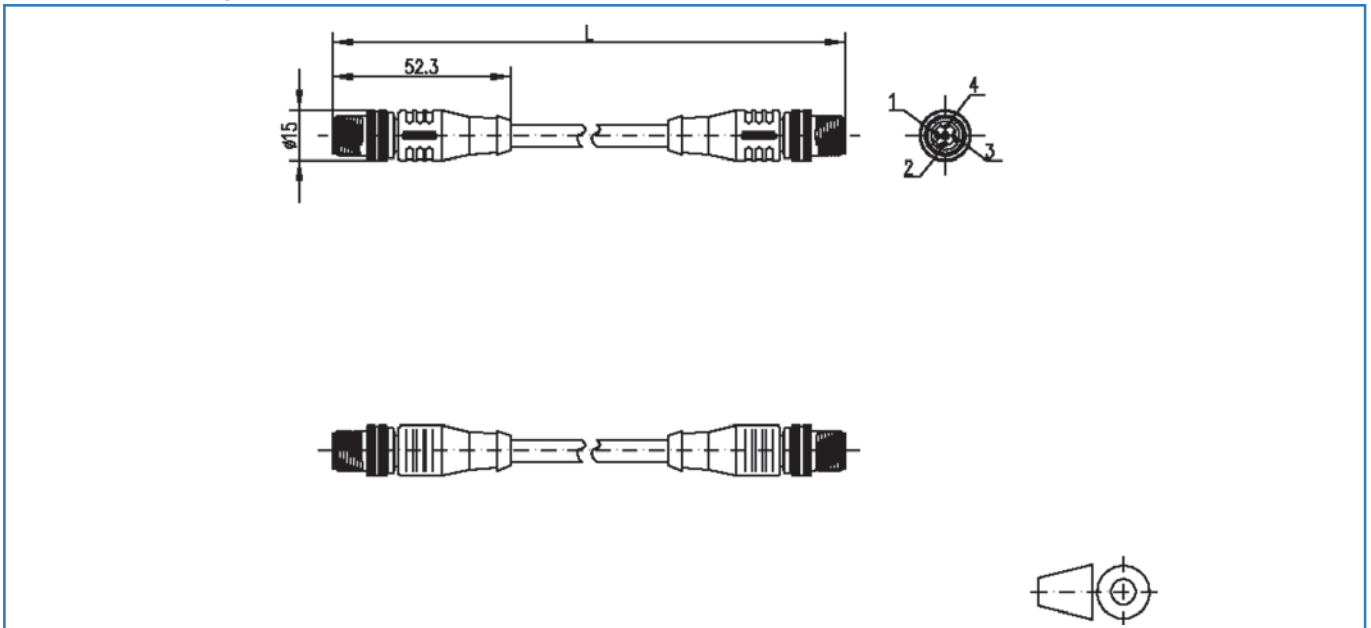
Type of packaging	1 pc(s) / plastic bag
Packaging unit - Weight (gram)	679.00 g
Packaging unit - Weight (pound)	1.50 lb

## P/N 21511 | 21512 | 21513 | 21514

Connection line M12 4-pole D-coded

### Illustrations

Dimensional drawing



Wiring

