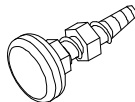
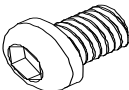
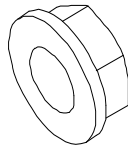
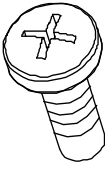

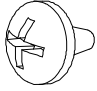
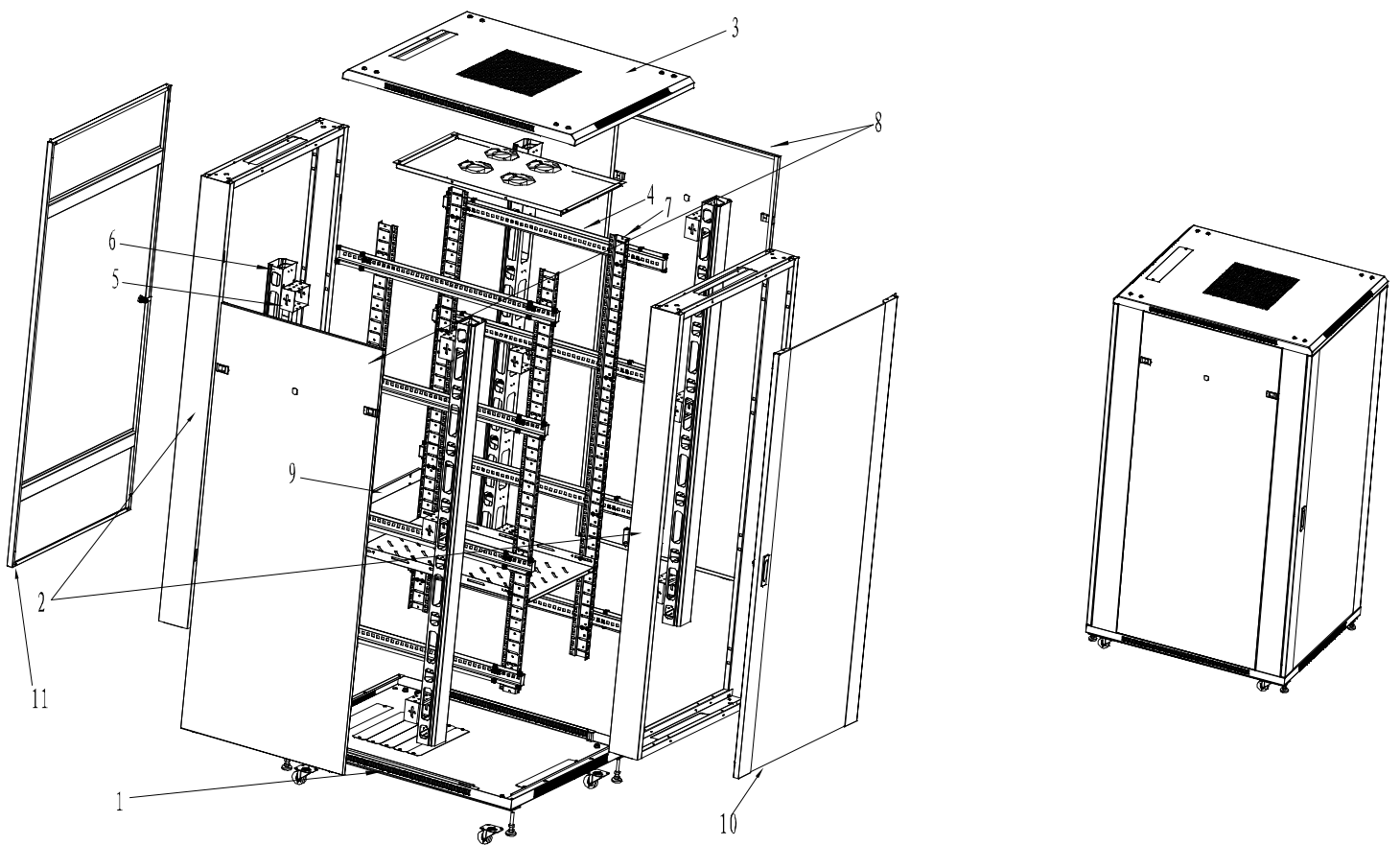


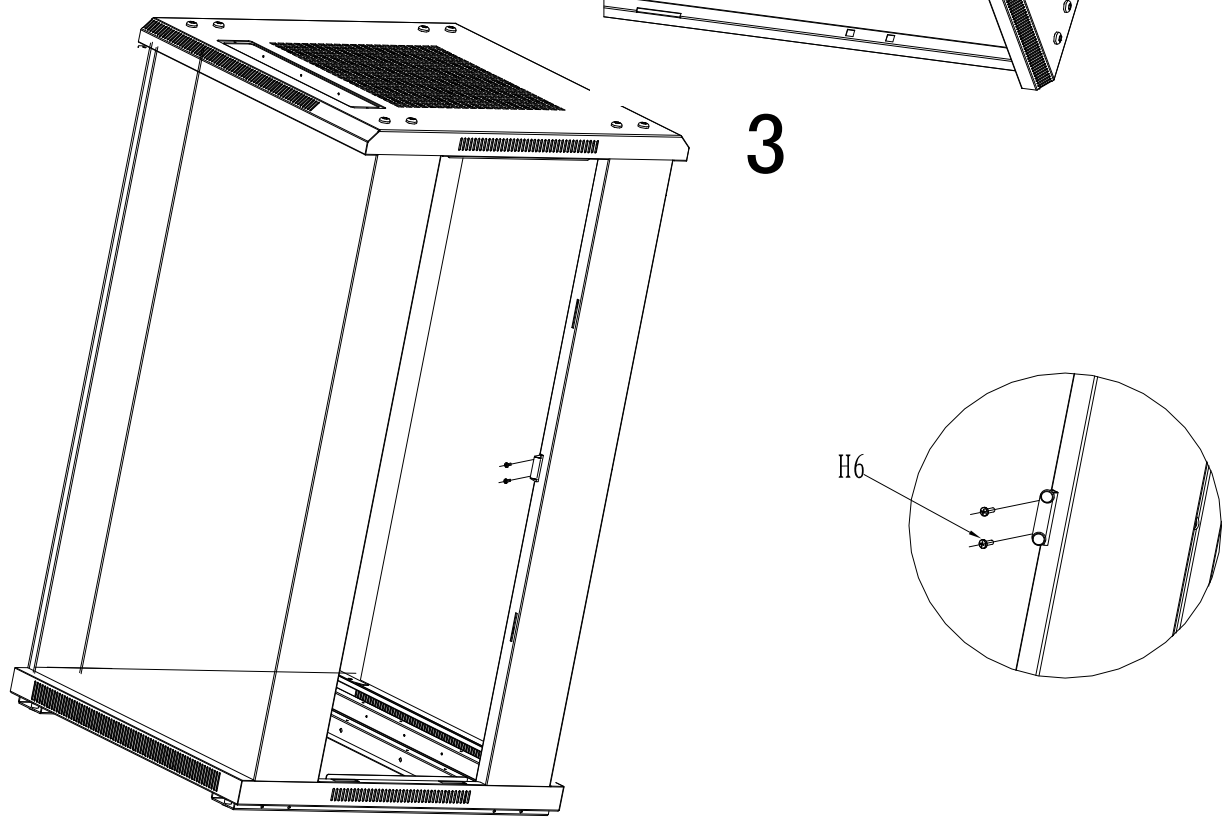
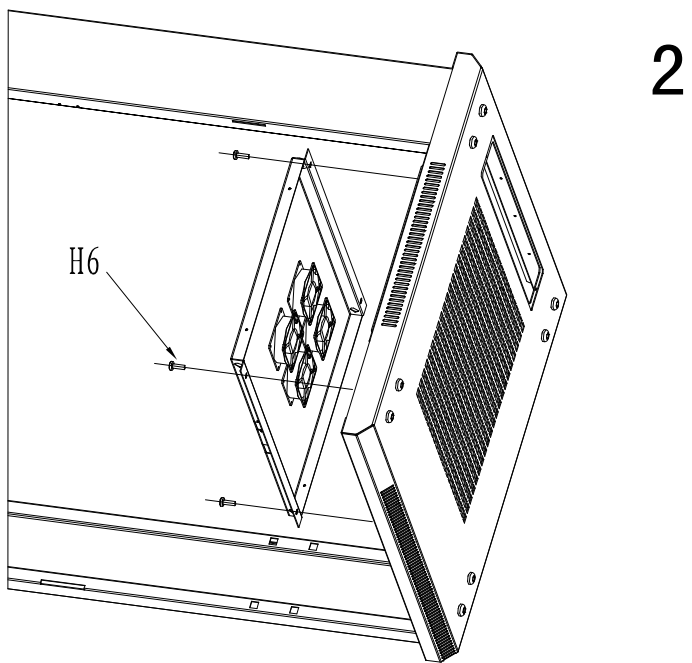
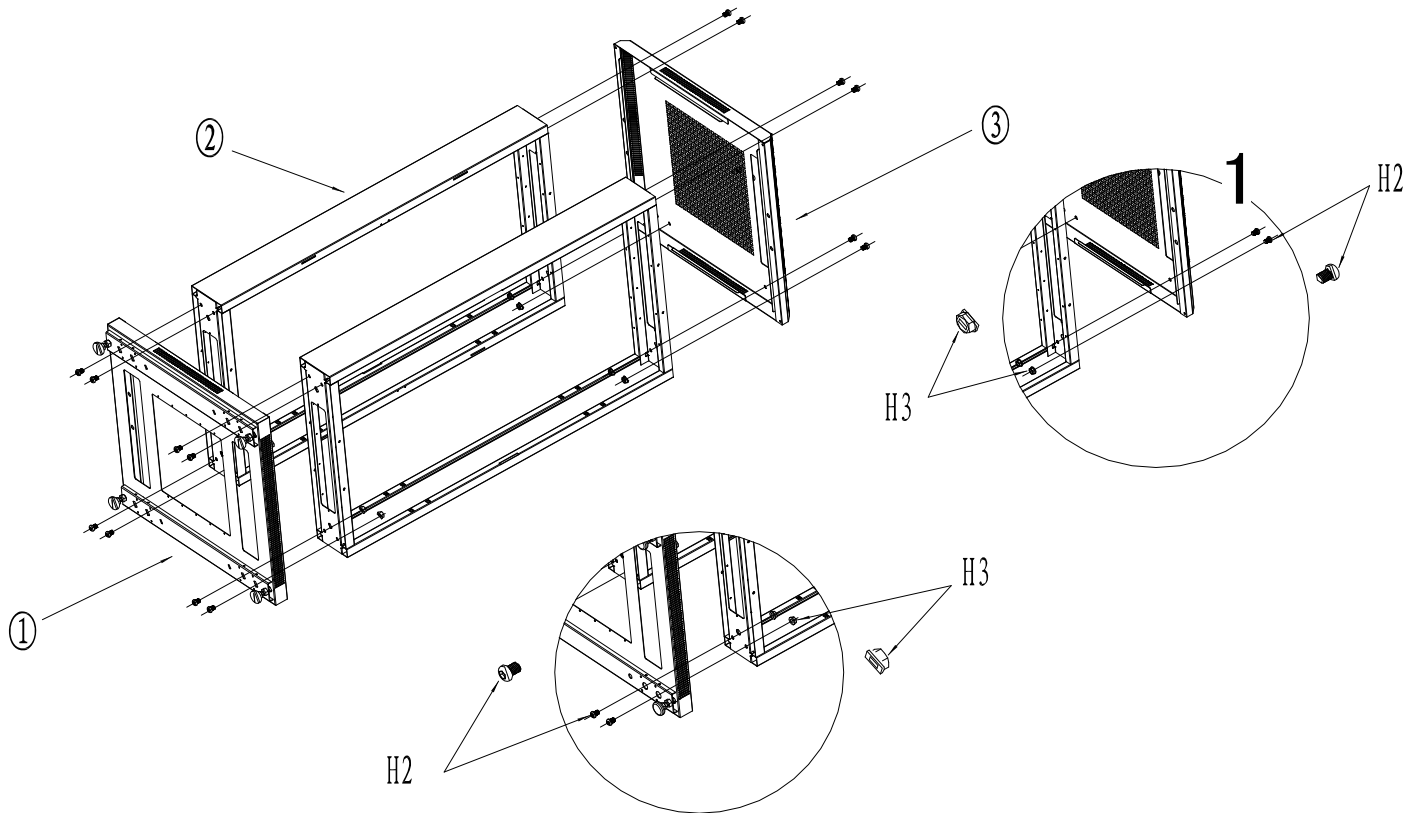
OPENETICS

Smart Rack Plus fondo 800

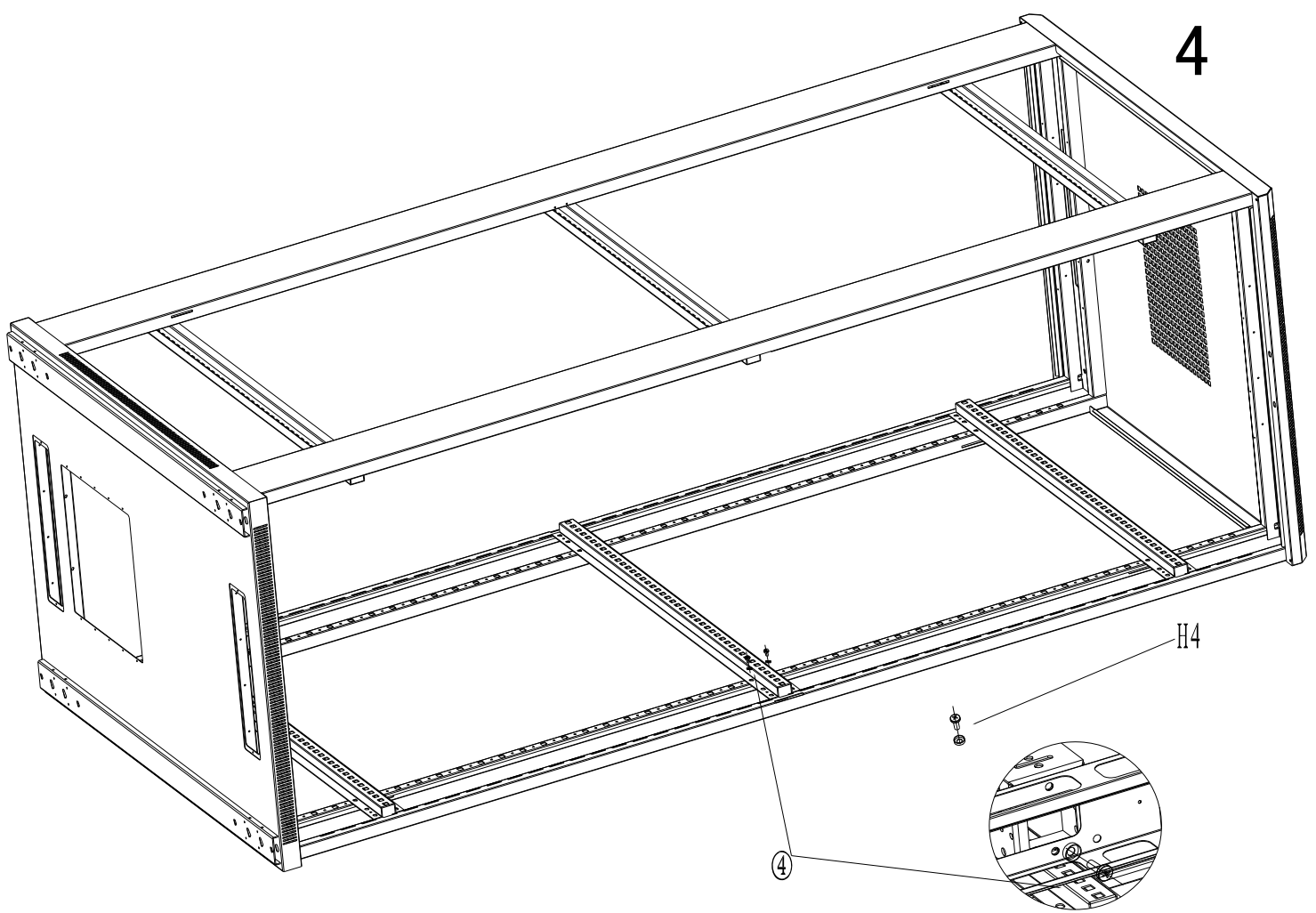
INSTRUCCIONES DE MONTAJE

REV	QTY	DESCRIPTION	REV	QTY	DESCRIPTION
1	1	BOTTOM TRAY	H1	4	
2	2	FRAME	H2	16	
3	1	TOP TRAY	H3	16	
4	4	HORIZONTAL SUPPORT	H4	104	
5	12	CABLE MANGER BRKT	H5	104	
6	4	CABLE MANGER	H6	28	
7	4	VERTICAL SUPPORT			
8	2	SIDE PANEL			
9	1	POWER DISTRIBUTION UNITS			
10	1	FRONT DOOR			
11	1	REAR DOOR			

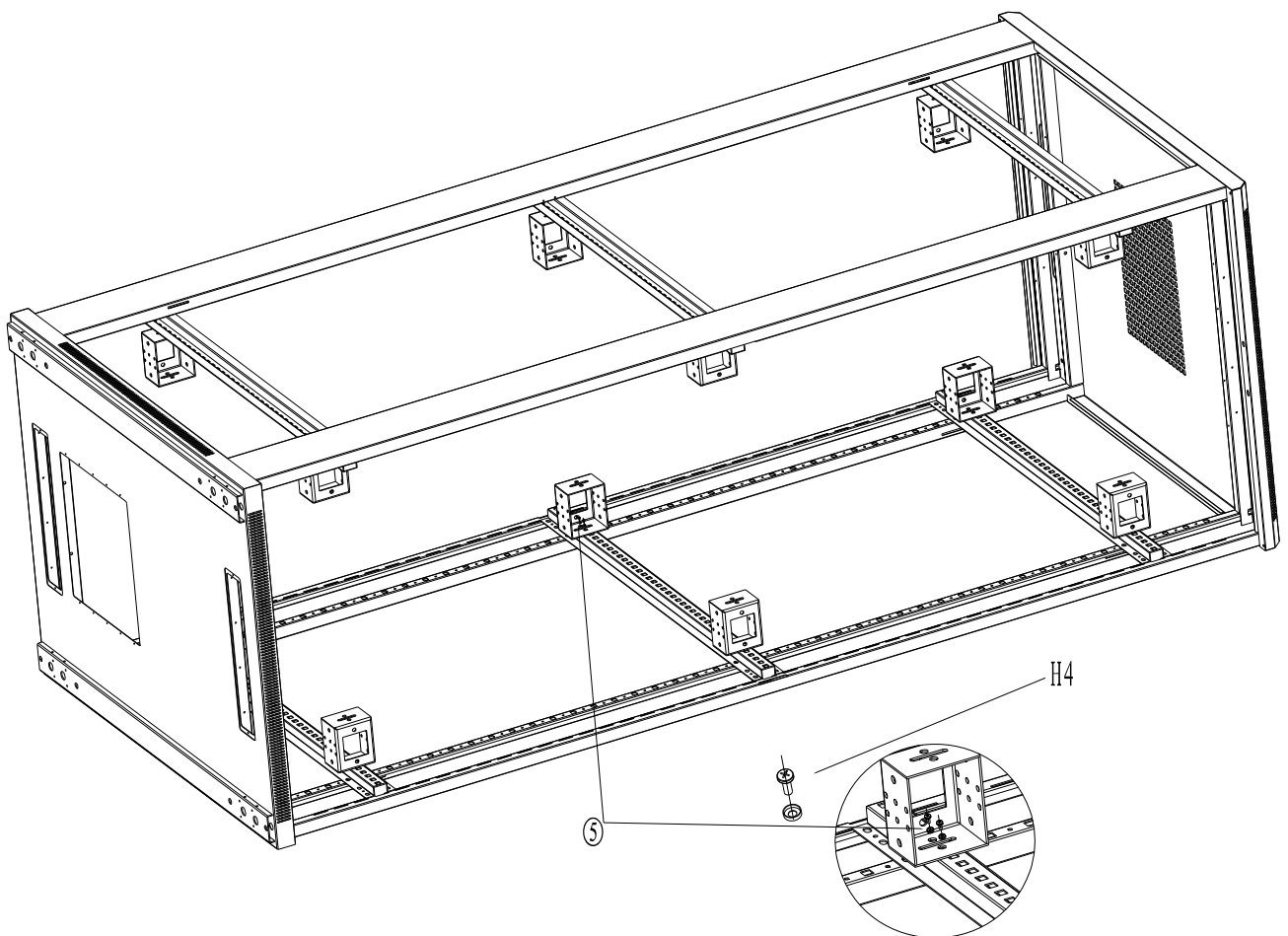




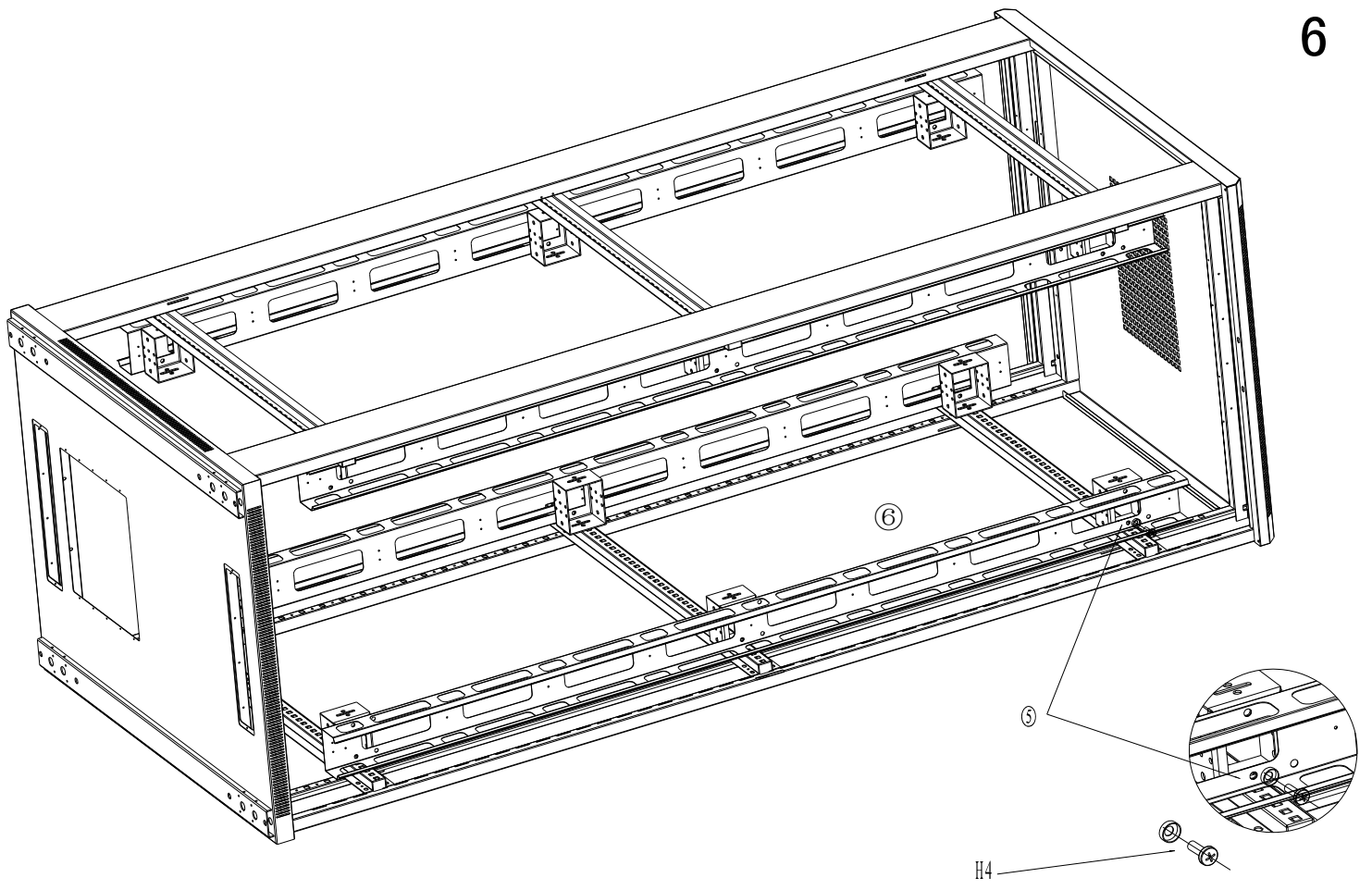
4



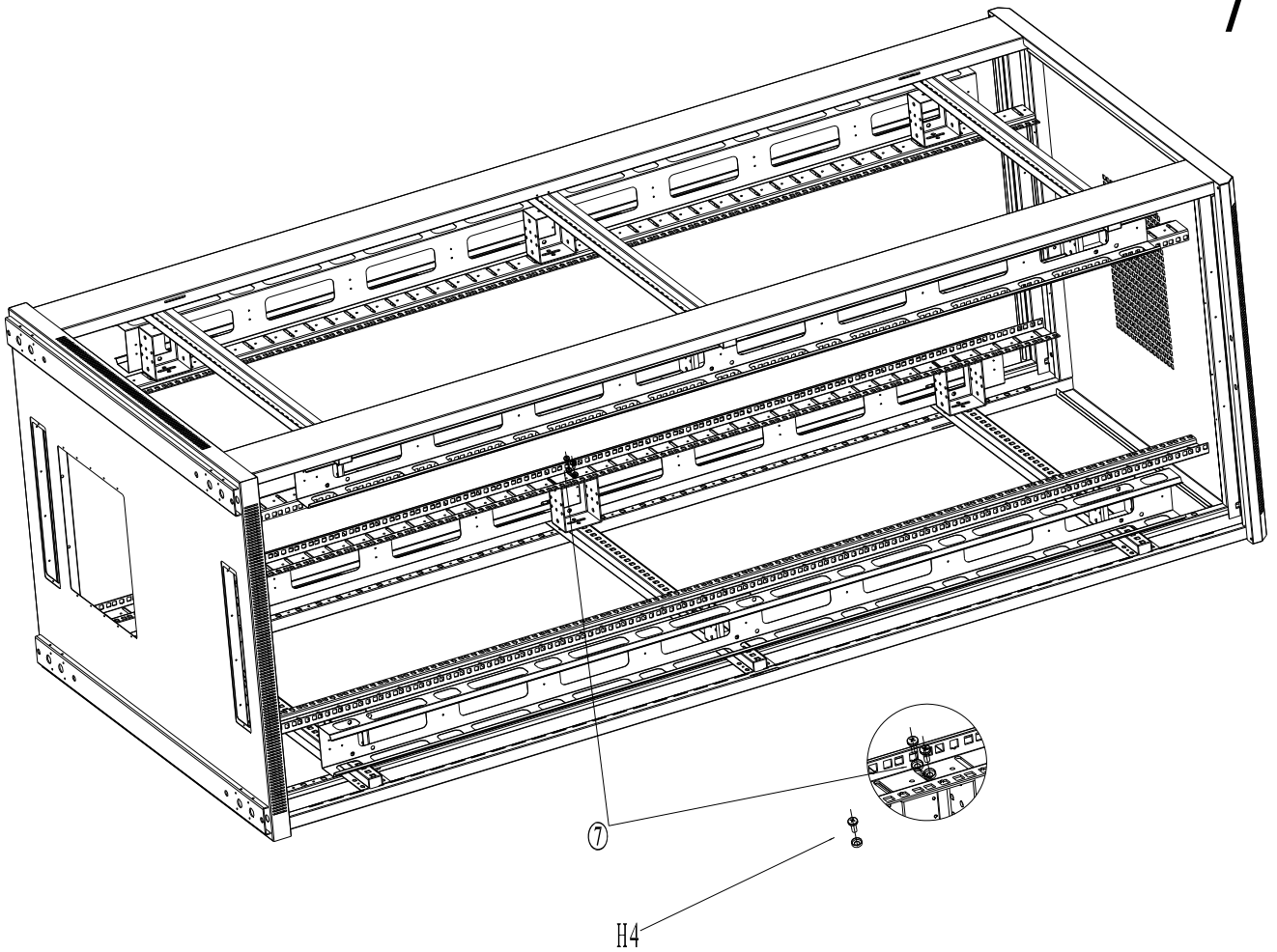
5

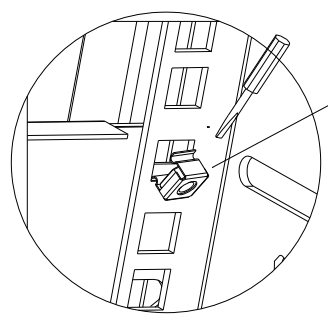


6

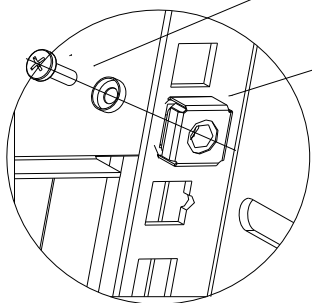


7



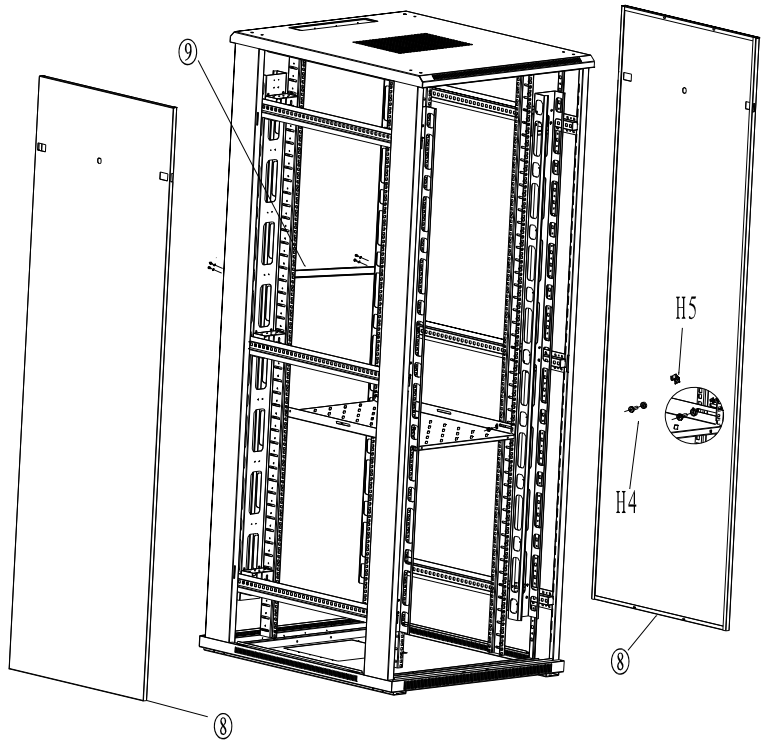


H5



H4

H5



9

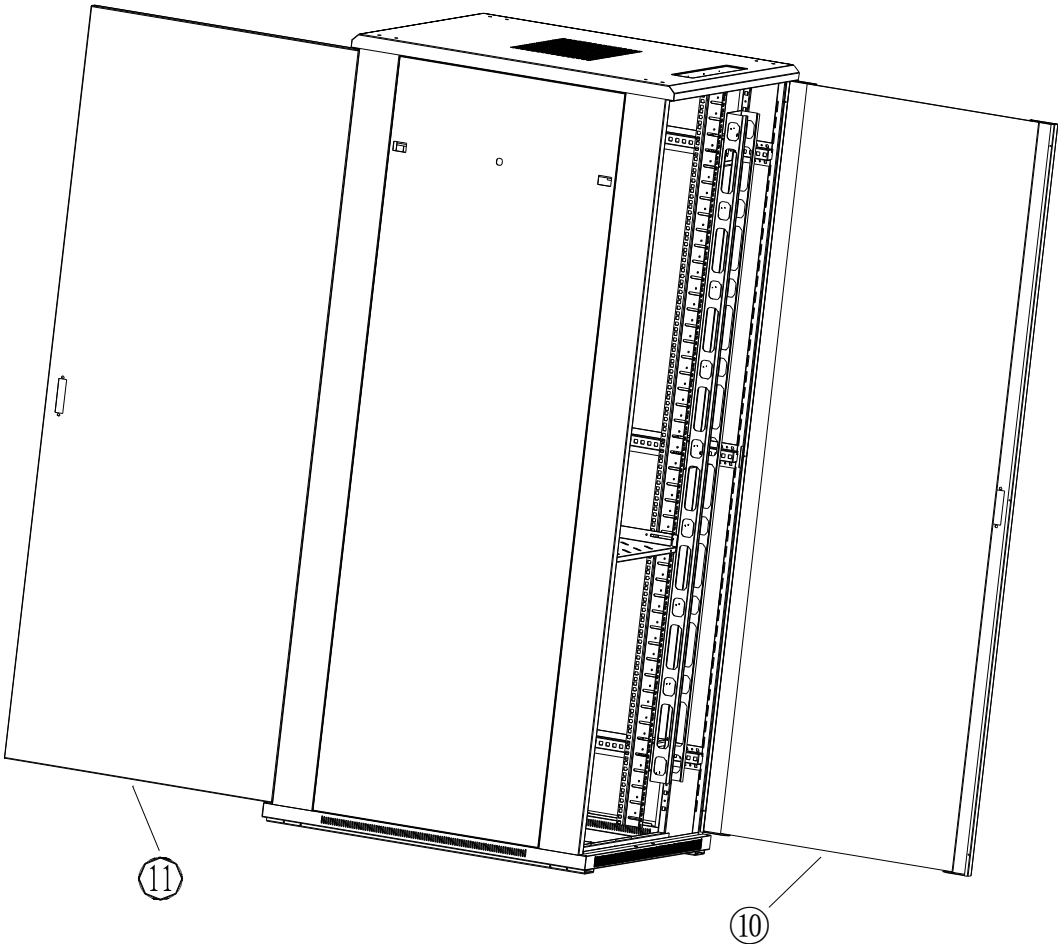
8

H5

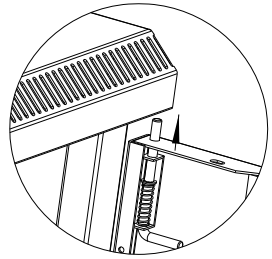
H4

8

8

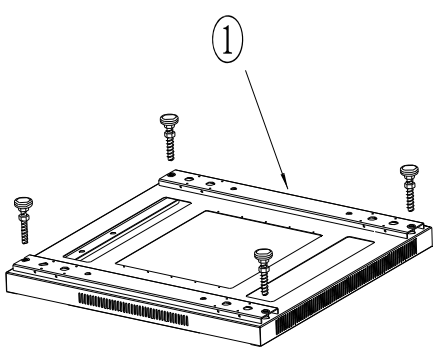


9

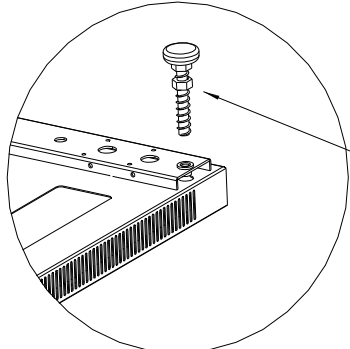


11

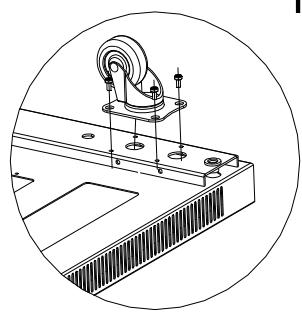
10



1



H1



10